



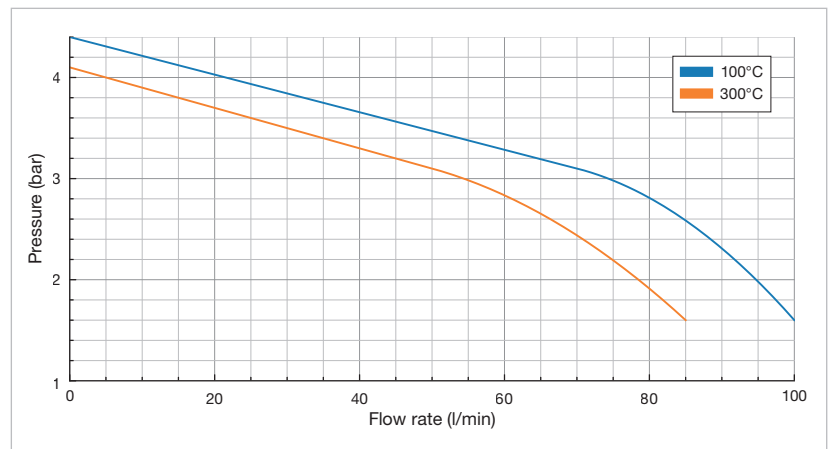
# MATIC Oil

360 48 A

360 48 Z

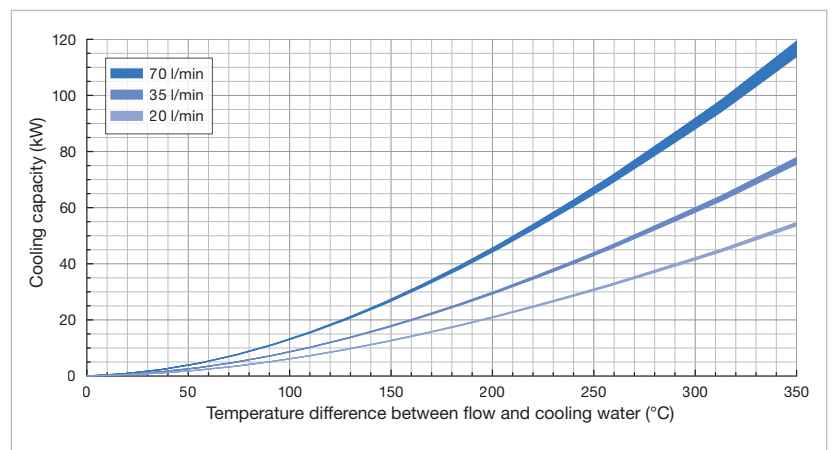
- Energy-efficient and ecological
- Modular and easy to expand
- Predefined actions
- Configurable recipes
- Intelligent Connectivity
- Predictive Maintenance

## Pump characteristic curve



Performance data with Tool-Therm SH-3 heat transfer oil

## Cooling capacity

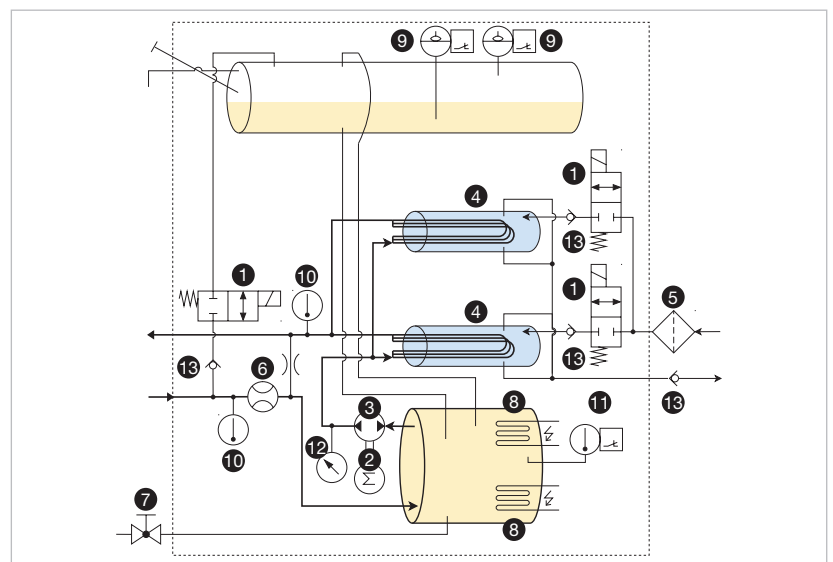


Cooling water temperature 10 °C

Performance data min. at 30 l/min @ 1.5 bar; max. at 72 l/min @ 8 bar cooling water

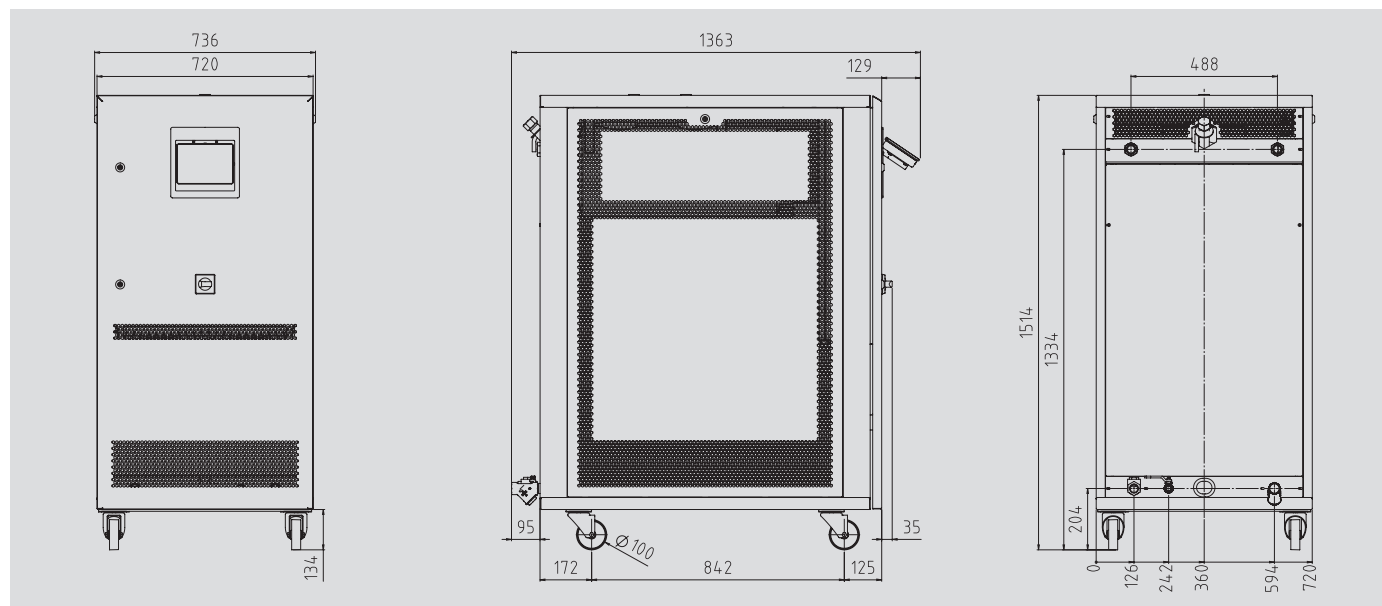


## Fluidic diagram



1 2-2 way valve (normally closed), 2 pump motor, 3 pump with reversible pumping direction, 4 shell & tube heat exchanger, 5 filter, 6 flow sensor, 7 ball valve, 8 heating element, 9 level sensor, 10 temperature sensor, 11 safety temperature limiter, 12 pressure sensor, 13 check valve

# Technical data



	Öi
<b>Maximum temperature</b>	<b>360 °C</b> (with TOOL-THERM SH-3 heat transfer oil)
<b>Heat output</b>	<b>48 kW</b> (6 x 8 kW)
<b>Cooling capacity</b>	See diagram
<b>Filling volume (heat transfer fluid)</b>	70 Liter
<b>Expansion volume</b>	36 liters
<b>Pump</b>	<b>Type A or Z</b>
Pressure and flow rate	See diagram
Rated power of the motor	1.5 kW
<b>Control system</b>	IRIS
Temperature measurement	3-wire Pt100 (F0.15 to IEC 60751), flow and return
Pump pressure measurement	Piezoresistive pressure transmitter
Flow measurement (heat transfer medium)	Impeller wheel sensor with inductive pick-up
Languages	EN, DE, FR, IT, ES, NL, CZ, PT, HU, PL, SV, HBS, JA, TR, ZH, RO (expandable)
<b>Interfaces</b>	Module IO1: RS232, RS485, CL 20 mA, CAN (accessories)
OPC-UA (Standard)	Module IO2: Profibus, Profinet, EtherNet/IP (accessories)
	Module IO3: 0-10 V, 0/4-20 mA, external measurement (accessories)
<b>Number of extension module slots</b>	2
<b>Connections</b>	
Heat transfer medium (flow and return)	1" BSPP (G1) internal thread
Cooling water, inlet	1" BSPP (G1) internal thread, with water filter
Cooling water, outlet	1" BSPP (G1) internal thread
<b>Empty weight</b>	335 kg
<b>Color</b>	RAL 7035 light gray
<b>Surroundings</b>	
Temperature range	5-40 °C
Relative humidity	40-80 % RH (non-condensing, no ice formation)
<b>Installation</b>	Inside, ventilation openings must be at least 10 cm clear
<b>Continuous sound pressure level</b>	< 70 dB (A)
<b>Power supply</b>	380-480 V, 50/60 Hz
<b>Connected load</b>	50 kW
<b>Conductor cross-section of connection cable</b>	
200-240 V	-
380-480 V	35 mm <sup>2</sup> (not included)
<b>Protection class device</b>	IP44, IP54 optional
<b>Labeling</b>	CE, UL-ready